



Super Stationmaster™ Omni Fiberglass Antenna

Product Description

Super Stationmaster VHF base station antennas incorporate the design features of 9 MHz broadband capability, improved lightning protection and true omnidirectional gain in excess of 5 dBd. Note: Below 150 MHz, rated gain is 4.8 dBd due to length constraints. Side mounting hardware is available for the 220 to achieve special radiation patterns. Vertical Beam Downtilt: the 220-DT may be ordered with 3° or 6° downtilt. Note: Operational gain and bandwidth are lessened with downtilt. The 220-DT is both reduced to 5.0 dBd gain and 1.5 MHz bandwidth. When downtilt antennas are ordered, exact frequency must be specified.



Features/Benefits

- Fiberglass construction protects radiating elements in corrosive environments.
- DC grounded – affords lightning protection.
- Copper radiating elements minimize possibility of intermod generation.

Technical Features

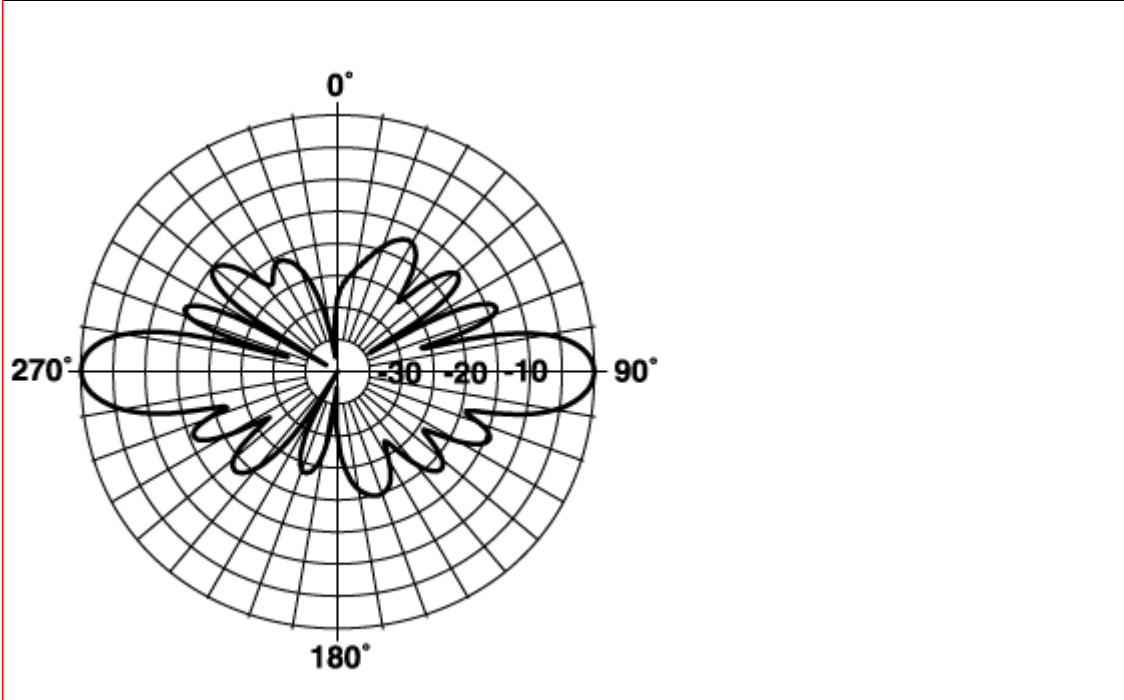
Frequency Band	VHF (25-299.9 MHz)
Horizontal Pattern	Omnidirectional
Antenna Type	Fiberglass Omni
Electrical Down Tilt Option	Fixed
Gain, dBi (dBd)	7.4 (5.3)
Frequency Range, MHz	142-150
Connector Type	N Female
Connector Location	Bottom
Mount Type	Fixed
Electrical Downtilt, deg	0
Orientation	Upright
Mounting Hardware	46 Clamp Set
Rated Wind Speed, km/h (mph)	160 (100)
Gain (Omni), dBi (dBd)	7.39 (5.25)
VSWR	< 1.6:1
Vertical Beamwidth, deg	18



Super Stationmaster™ Omni Fiberglass Antenna

Polarization	Vertical
Maximum Power Input, W	500
Lightning Protection	Direct Ground
3rd Order IMP @ 2 x 43 dBm, dBc	-130
Overall Length, m (ft)	5.85 (19.2)
Element Housing Length, m (ft)	5.12 (16.8)
Support Pipe Diameter, m (in)	0.07 (2.75)
Support Pipe Length, m (ft)	0.71 (2.33)
Weight, kg (lb)	11 (25)
Radiating Element Material	Copper
Element Housing Material	Fiberglass
Support Pipe Material	Aluminum Alloy
Max Wind Loading Area, m ² (ft ²)	0.202 (2.17)
Survival Wind Speed, km/h (mph)	200 (125)
Bend Mom @ Rated Wind 1" Below Top of Mt Pipe, N m (ft lbf)	1001 (738)
Side Thrust @ Rated Wind, N (lbf)	387 (87)
Shipping Weight, kg (lb)	21.8 (48)
Packing Dimensions - HxWxD, m (ft)	6.4 x 0.1 x 0.1 (21 x 0.33 x 0.33)
Shipping Dimensions of Accessory - HxWxD, m (ft)	Packed w/antenna
Shipping Mode	Common Carrier

Notes





Super Stationmaster™ Omni Fiberglass Antenna

